

Vinyl 4-Panel Sliding Door Astragal Installation Guide

IG-011 REV. 06/2014 V1.0



Vinyl 4-Panel Sliding Door

Scan Here for a Digital Version of the
Installation Guides in English.

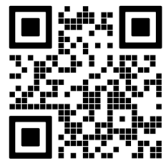
Quartz Luxury Windows & Doors:
www.quartzluxurywindows.com



Vinyl 4-Panel Sliding Door

Scan Here for a Digital Version of the
Installation Guides in English.

Quartz Residential Windows & Doors:
www.quakerresidentialwindows.com



Vinyl 4-Panel Sliding Door

Scan Here for a Digital Version of the
Installation Guides in English.

Quaker Commercial Windows & Doors:
www.quakercommercialwindows.com



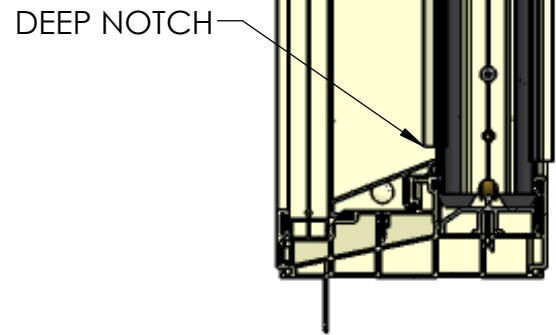
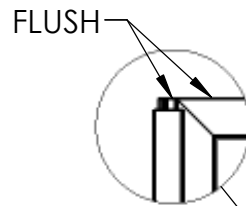
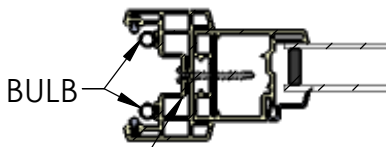
Para ver las instrucciones en Espanol, escanea aqui.

If this set of instructions does not match your installation method or the wall conditions of the job site, please check our website listed below for other options, or call Quaker Customer Service for additional information.

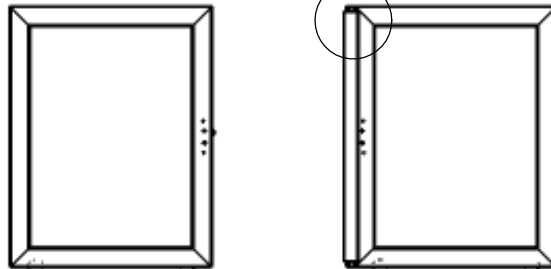


Quaker Window Products
504 U.S. Hwy 63 South
Freeburg, MO 65035
(800) 347-0438
www.quakerwindows.com

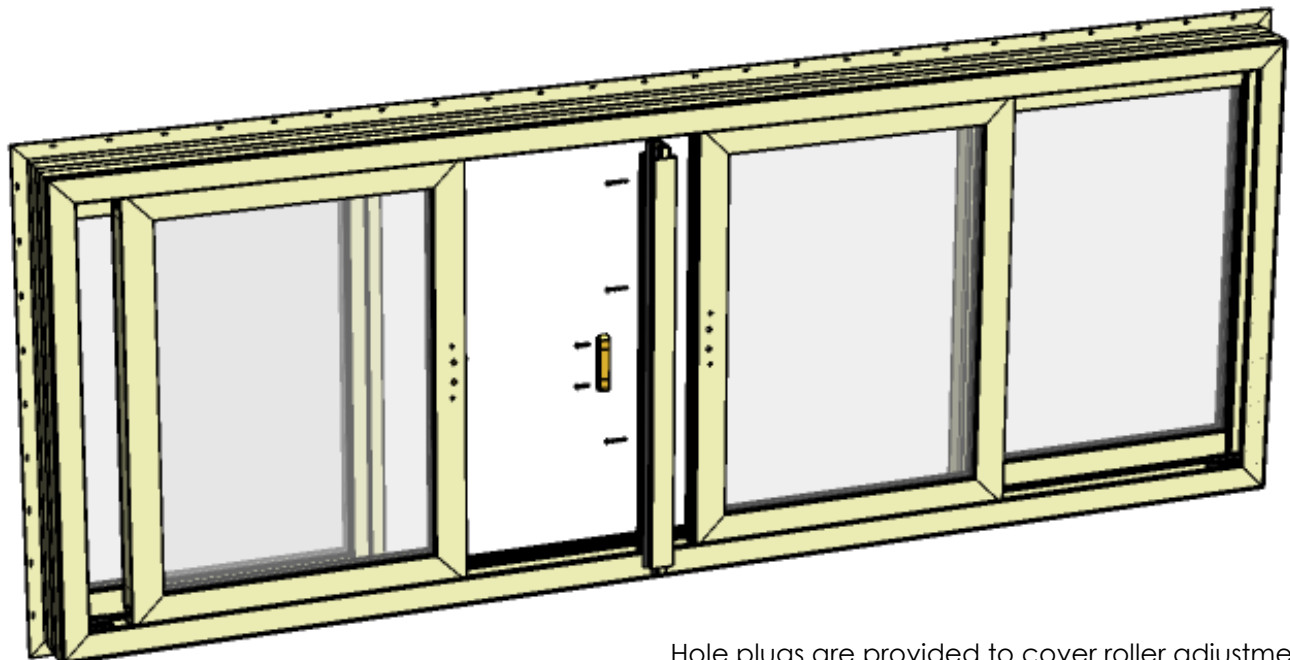
Orientate astragal with **bulb** seals facing outward with **deep notch** toward exterior to clear threshold. Position on lock rail of secondary panel (without latch) **flush** with top and bottom of panel.



Predrill mounting holes through astragal at 2 1/2" from each end and approximately 12" on-center. Avoid placing mounting fasteners near handle location as this will interfere with latch keeper.



PSP8-18X11/4TK4
(7 pieces)



Hole plugs are provided to cover roller adjustment holes once installation and adjustment is complete.